



FOCUS ON

A SAMSON & KROHNE COMPANY

QUICK START GUIDE

FOCUS-1 INSTALLATION AND INITIAL START-UP

DEVICE VARIATIONS

	Flange size	Pressure Class
ANSI	3"	300
		150
DIN	DN80	PN16
		PN40

SIGNAL INPUT AND OUTPUT

4-20mA HART IN
4-20mA OUT

REQUIRED TOOLS

		SIZE 5
		SIZE 6

		SIZE 15
		SIZE 24

MORE INFO ON DEVICE

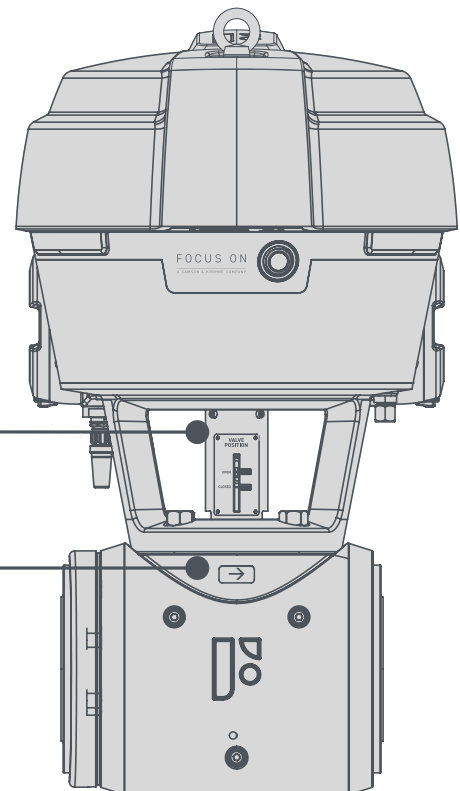
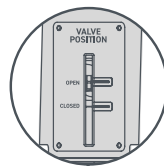


USER MANUAL



CERTIFICATIONS

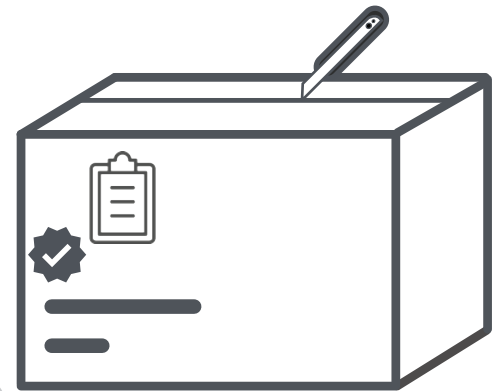
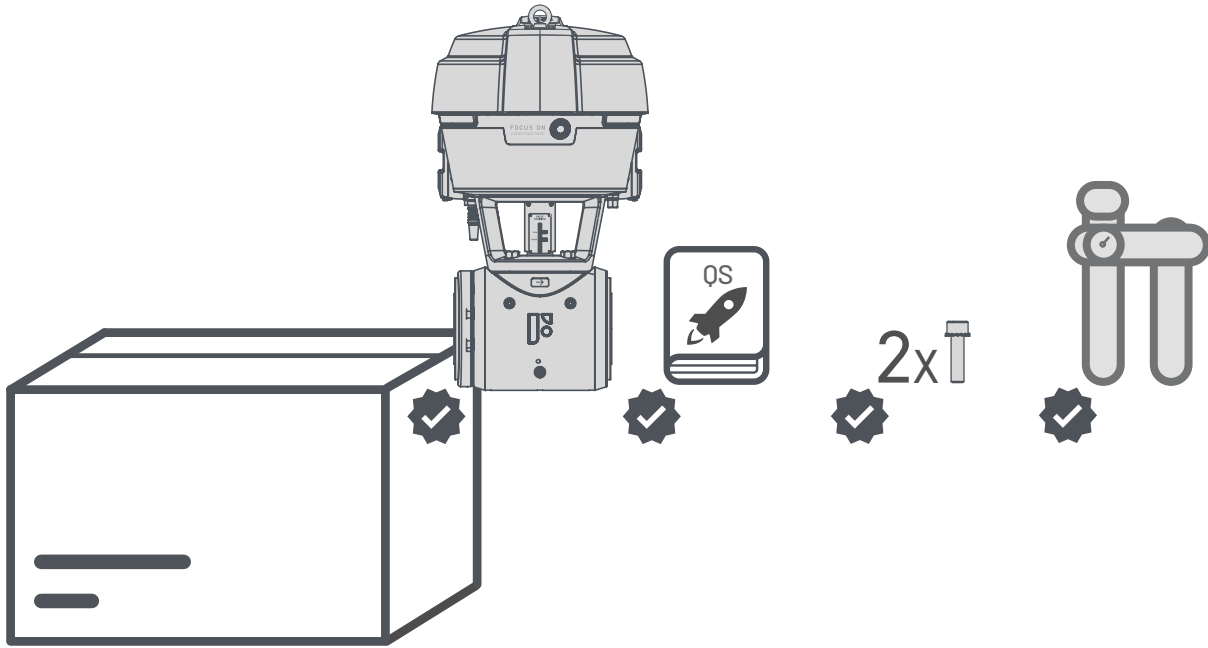
DEVICE POSITIONER



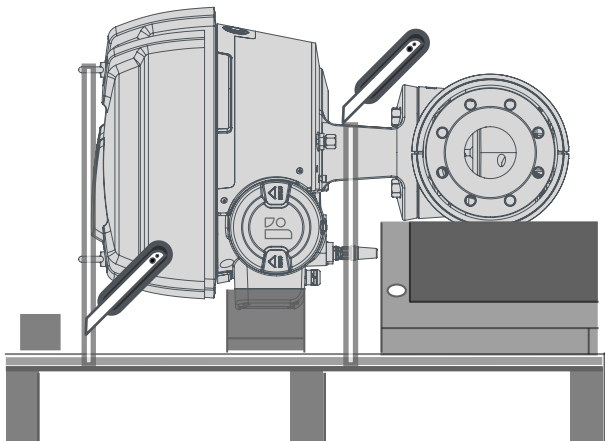
FLOW DIRECTION

UNBOXING

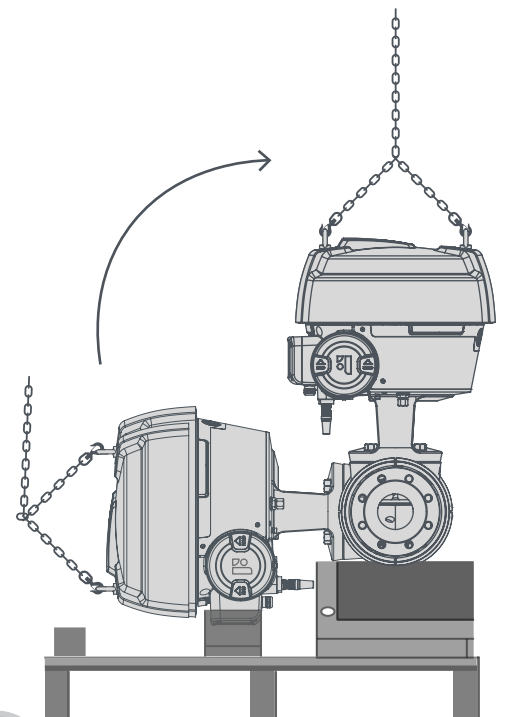
WHAT'S IN THE BOX AND DEVICE PRE-INSTALLATION



1



2



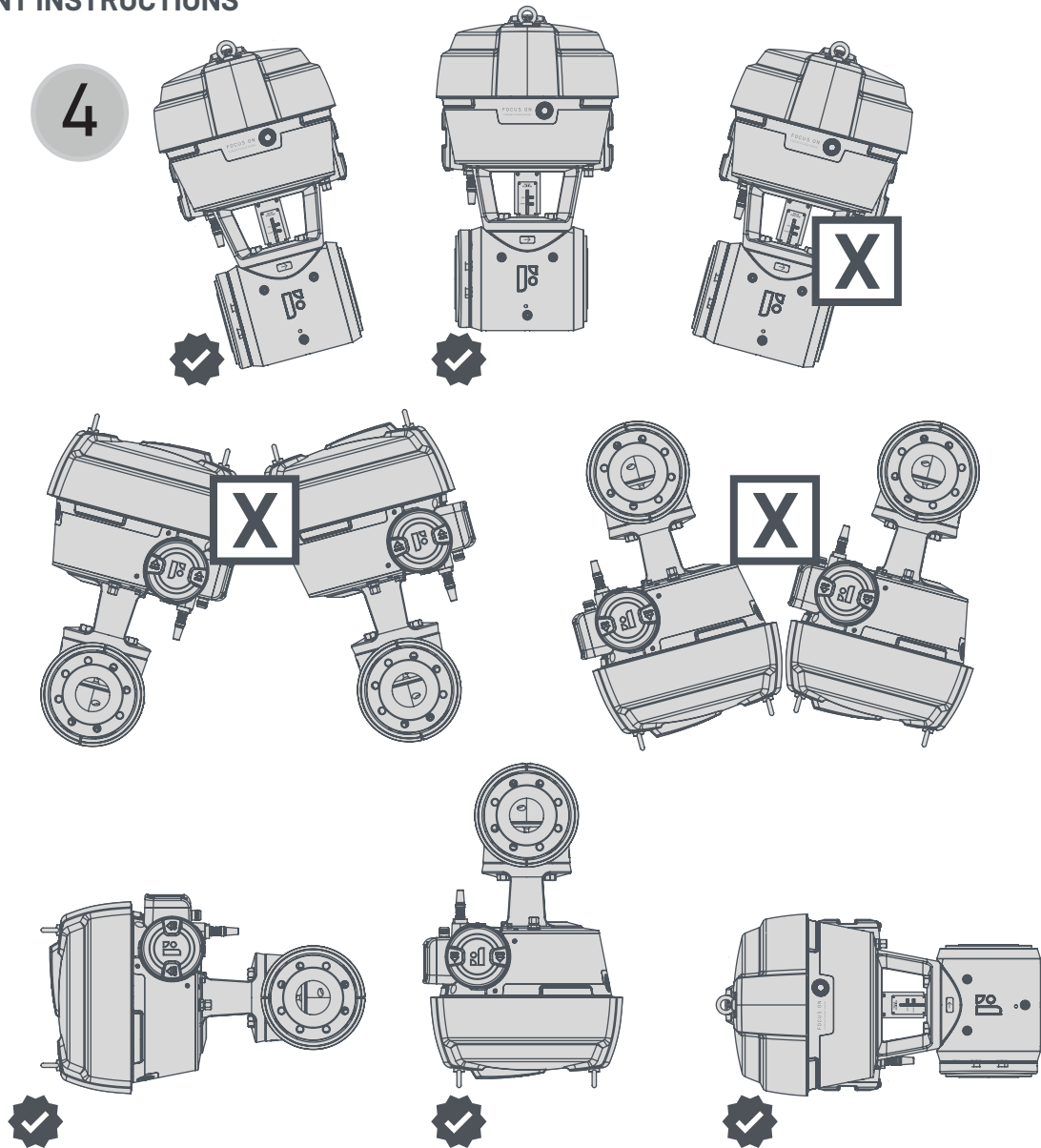
3

1

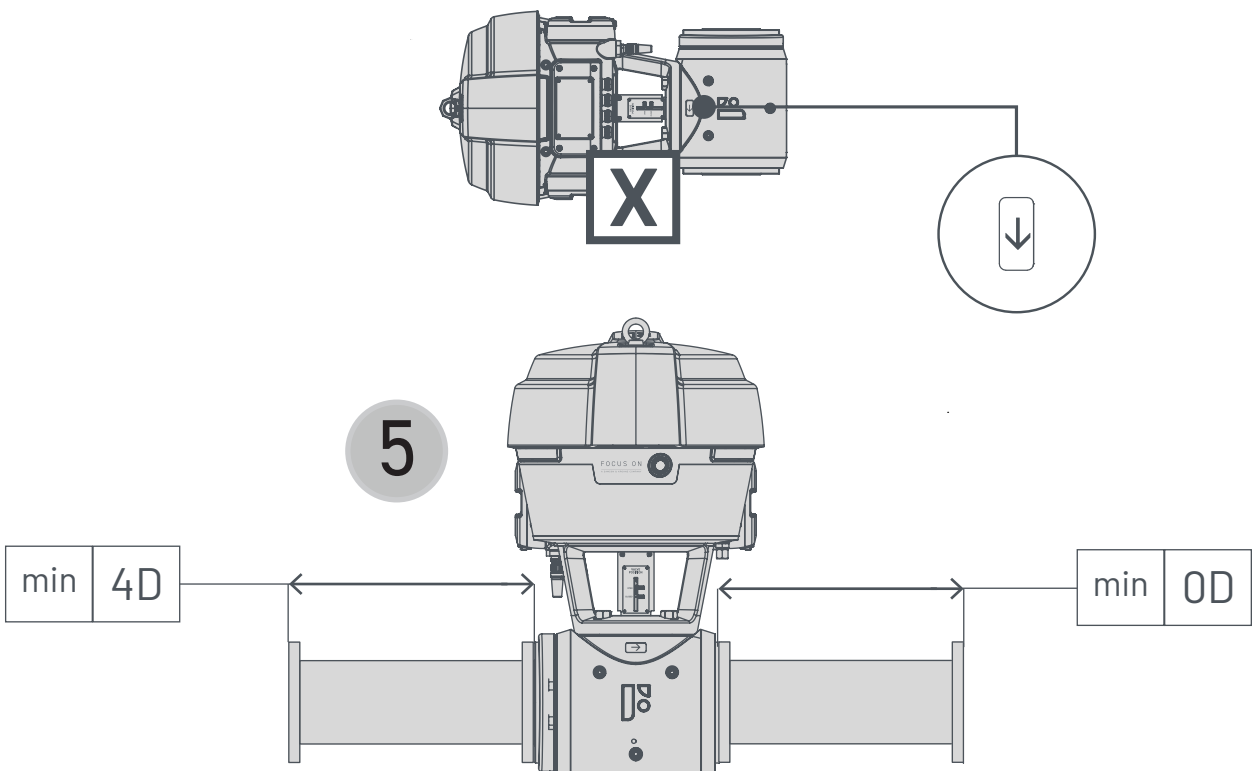
MECHANICAL INSTALLATION
PLACEMENT INSTRUCTIONS



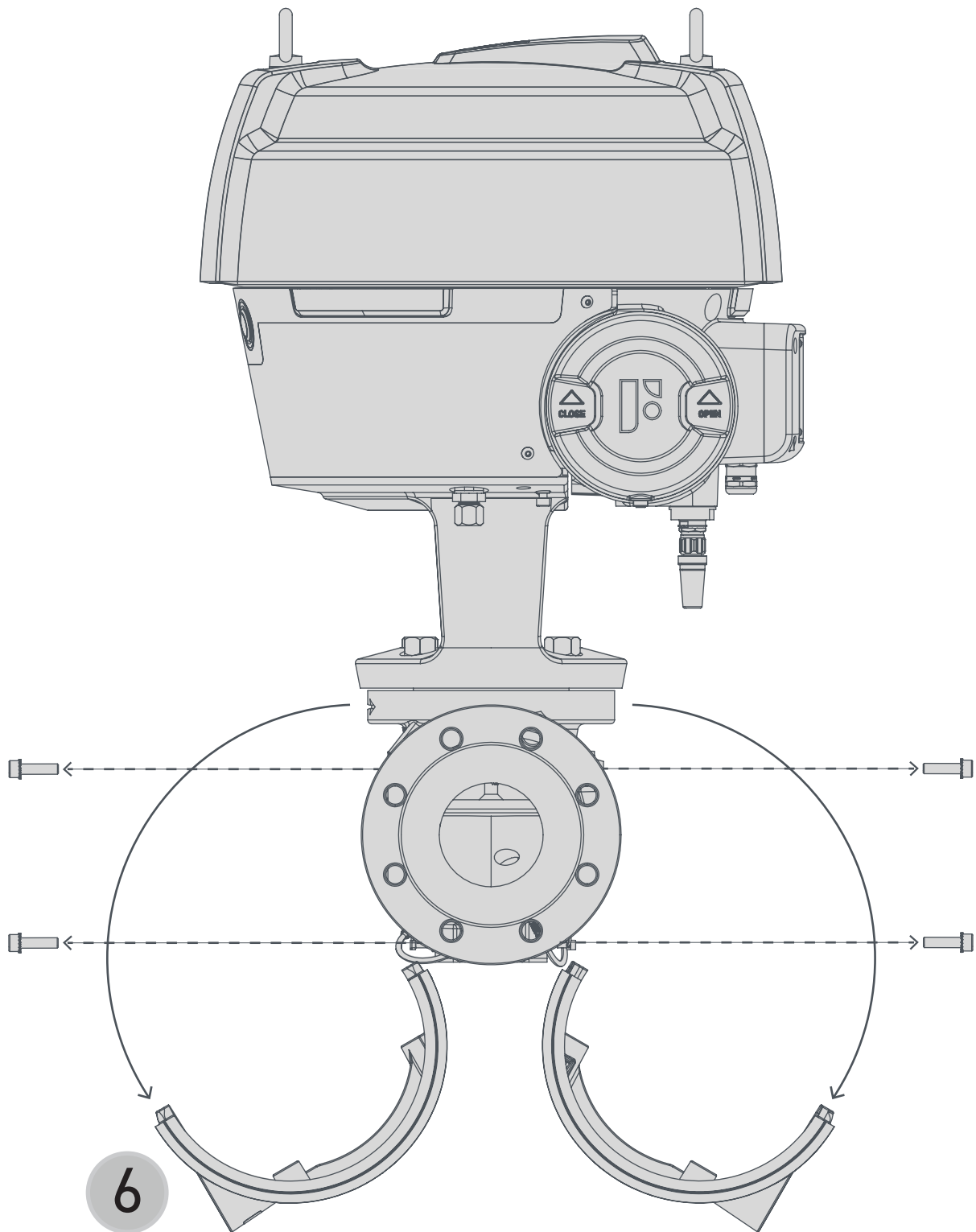
4



5

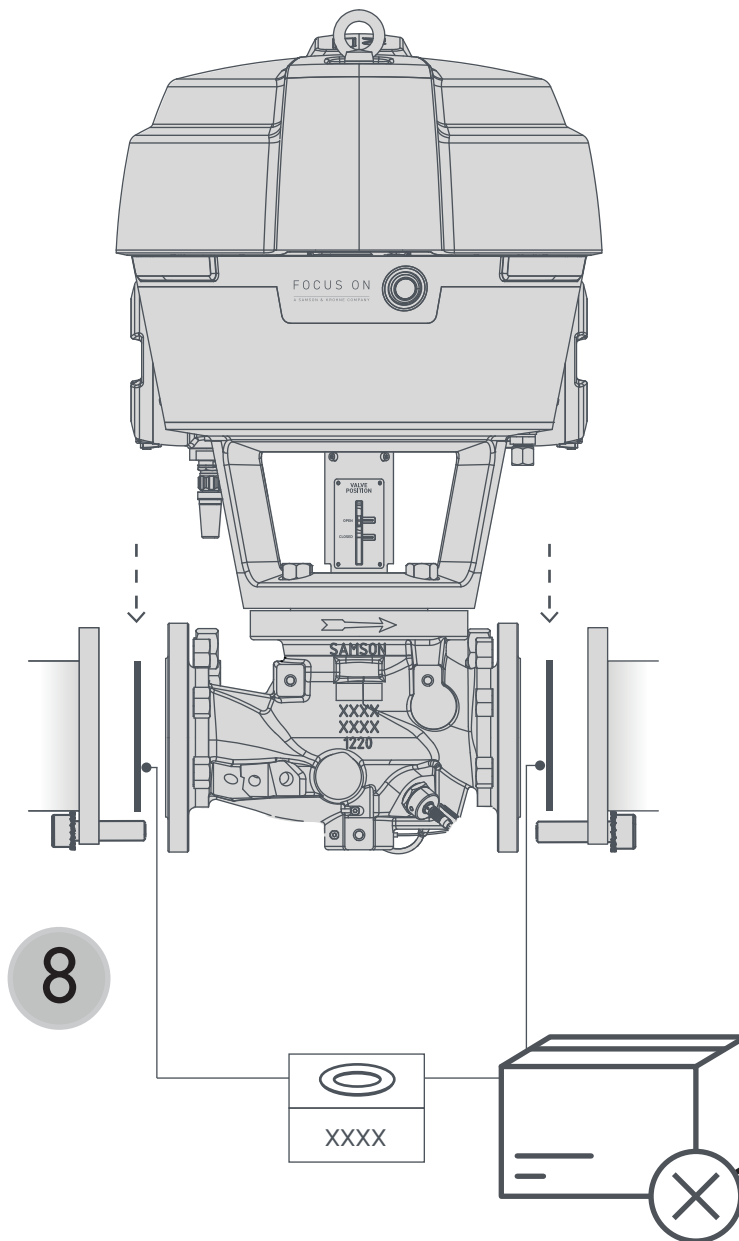
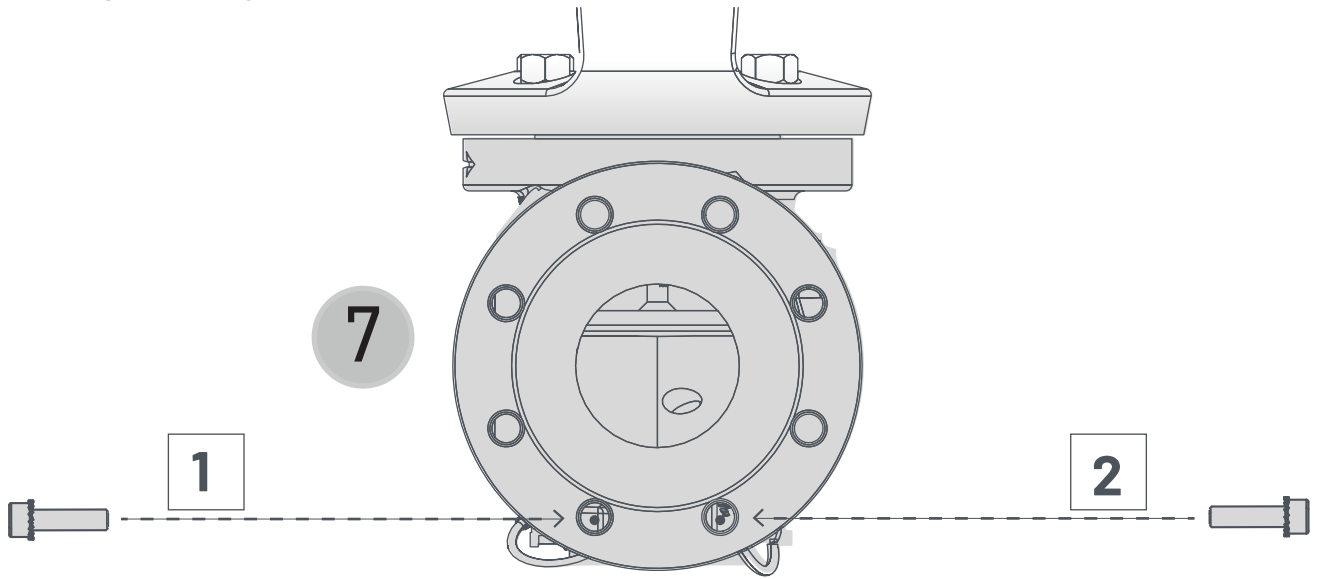


MECHANICAL INSTALLATION
COVER REMOVAL

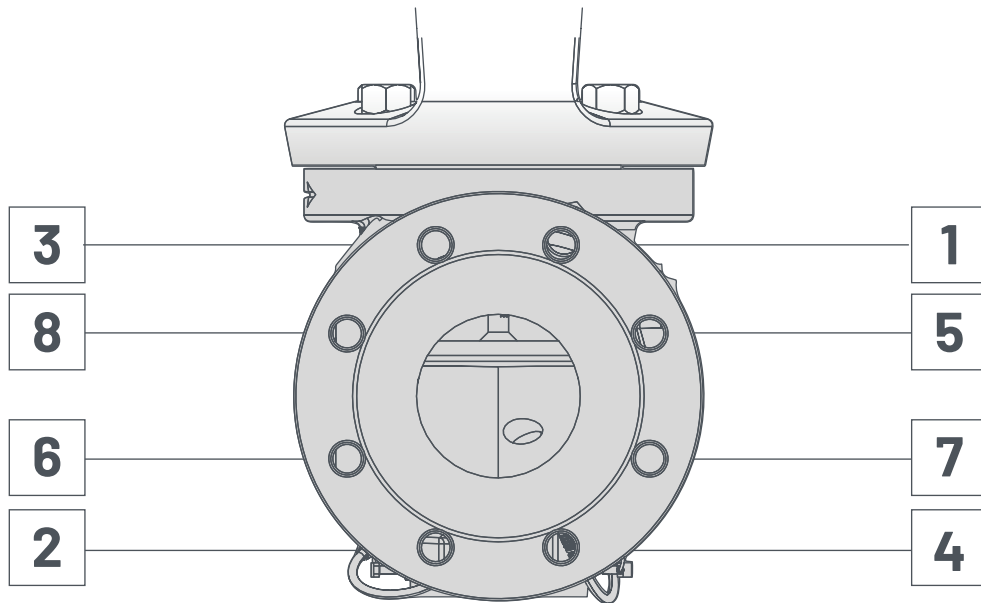


	SIZE 6
6X	M8 X30

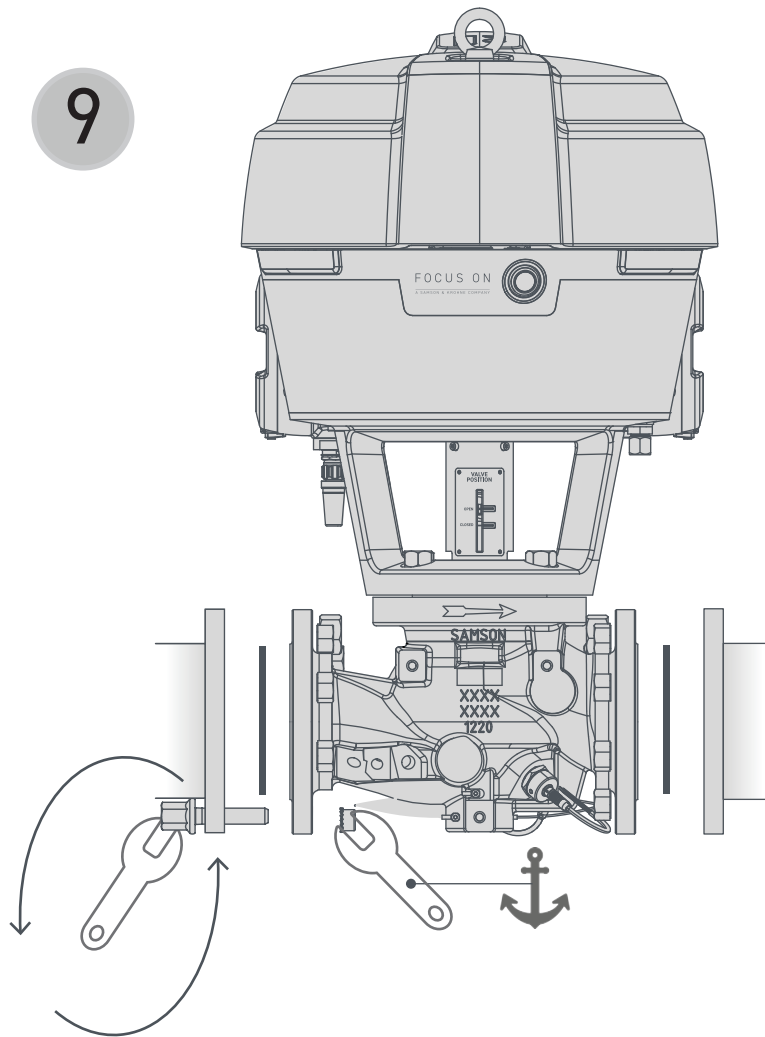
MECHANICAL INSTALLATION
GASKET INSTALLATION



MECHANICAL INSTALLATION
FASTENING SEQUENCE INSTRUCTIONS

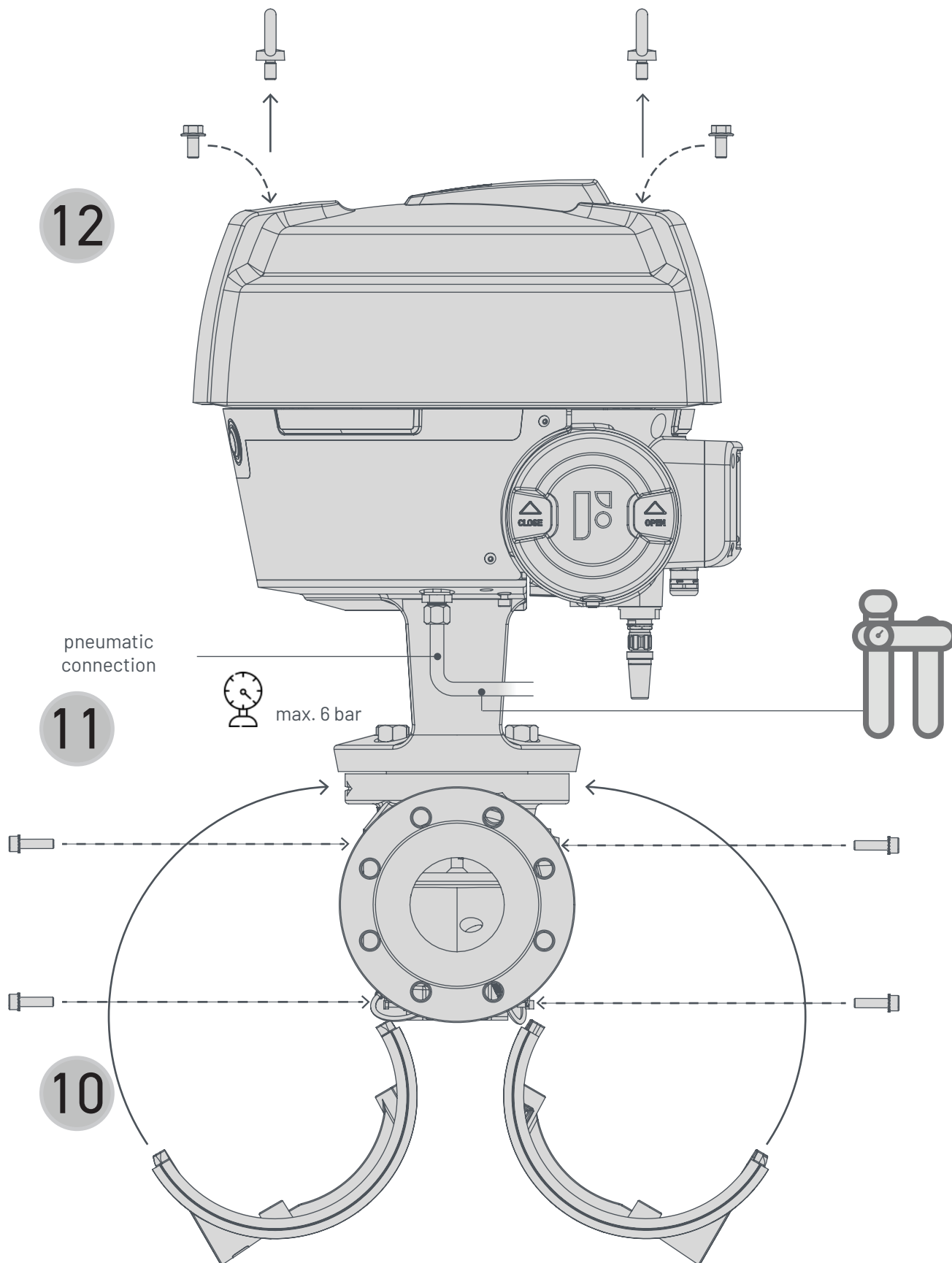


9



	SIZE 24
2X	

MECHANICAL INSTALLATION
COVER FIXATION & AIR SUPPLY



12

11

10

pneumatic connection



max. 6 bar

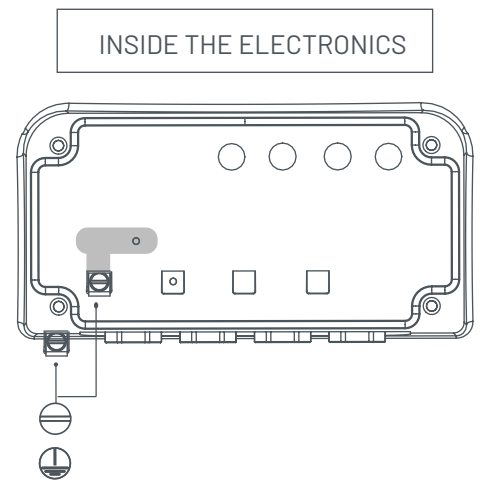
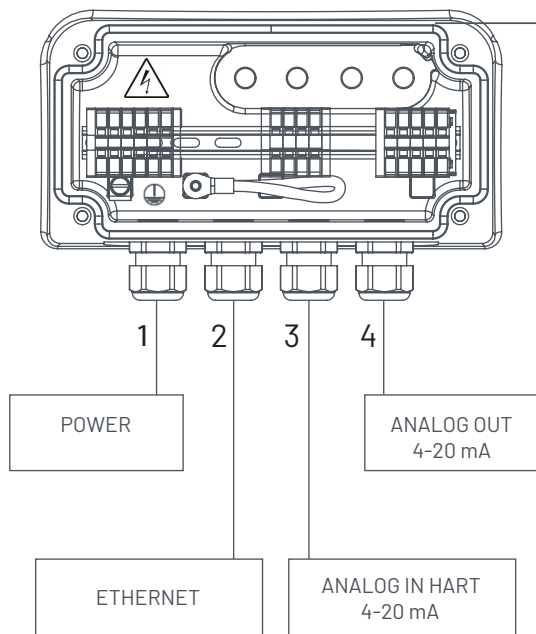
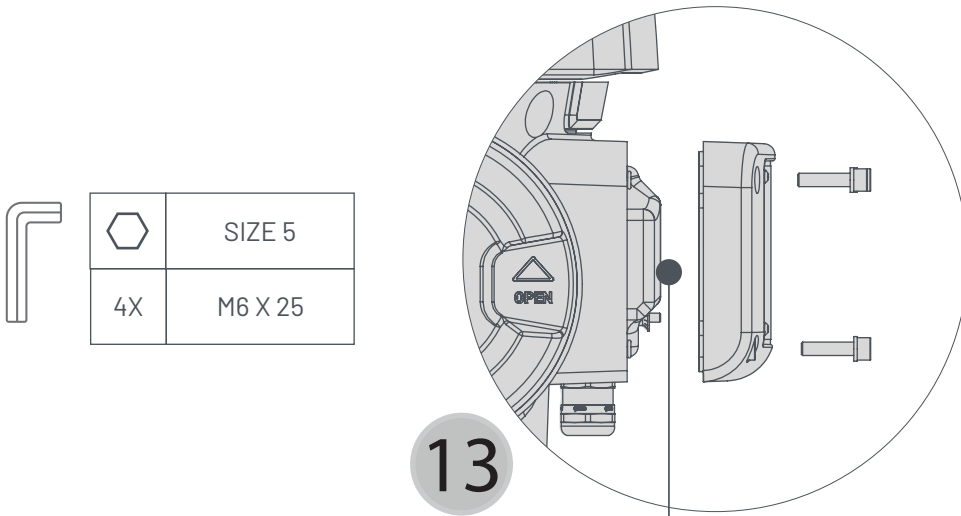


	SIZE 6
6X	M8 X30

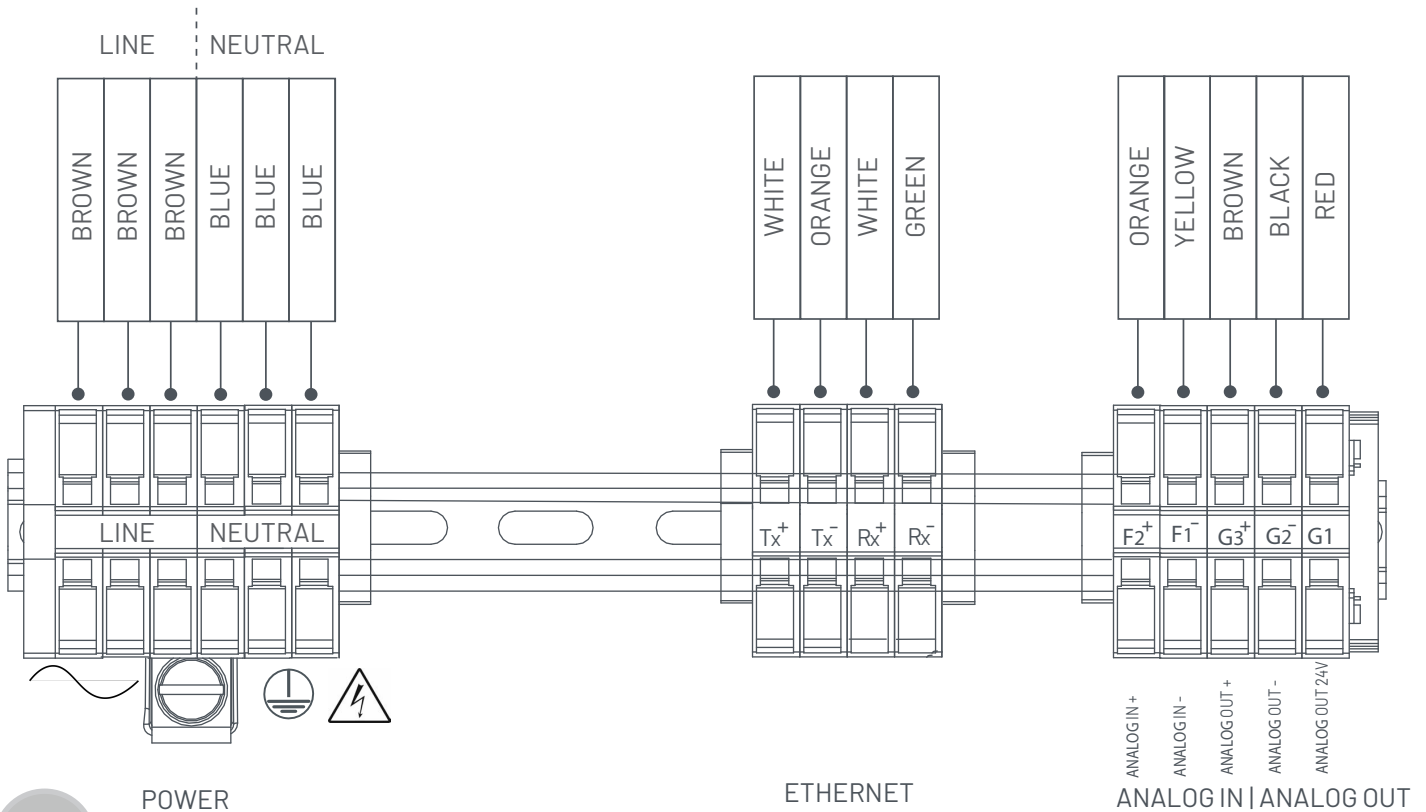


	SIZE 15
2X	M10 X20

ELECTRIC INSTALLATION
CABLE CONNECTIONS



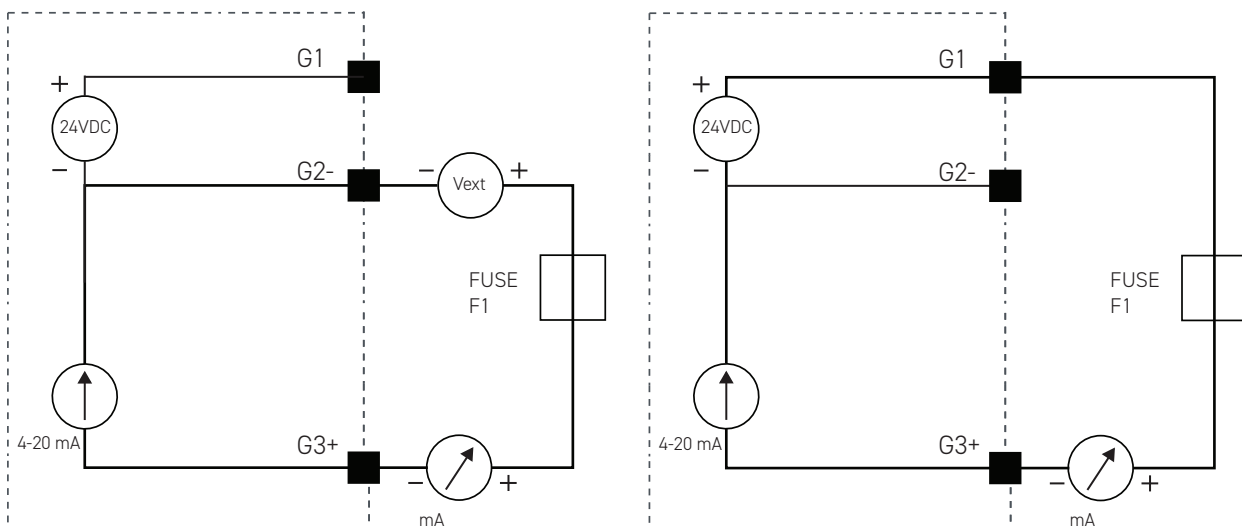
FOCUS-1 AC TERMINALS



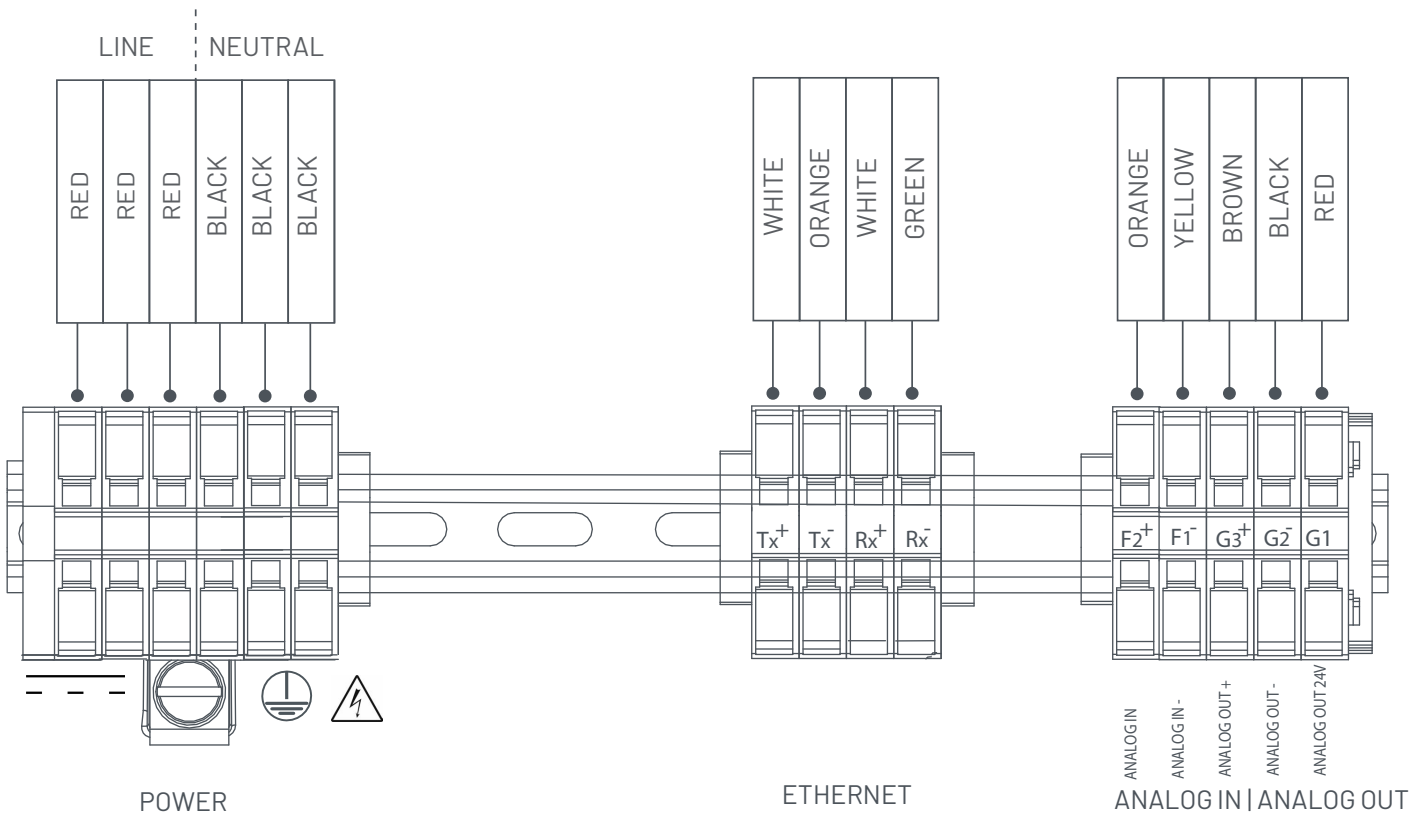
14

AC Terminal marking	Description
Line	Mains wiring. Connect Line to these terminals
Neutral	Mains wiring. Connect Netural to these terminals
TX+ / TX-	Ethernet: Transmit pair (white orange/orange)
RX+ / RX-	Ethernet: Receive pair (white green/green)
F2+	4-20mA input: + terminal
F1-	4-20mA input: - terminal
G3+	4-20mA output: + terminal
G2-	4-20mA output: - terminal
G1	4-20mA output: 24VDC

AC ACTIVE AND PASSIVE 4-20 mA OUTPUT CONNECTION

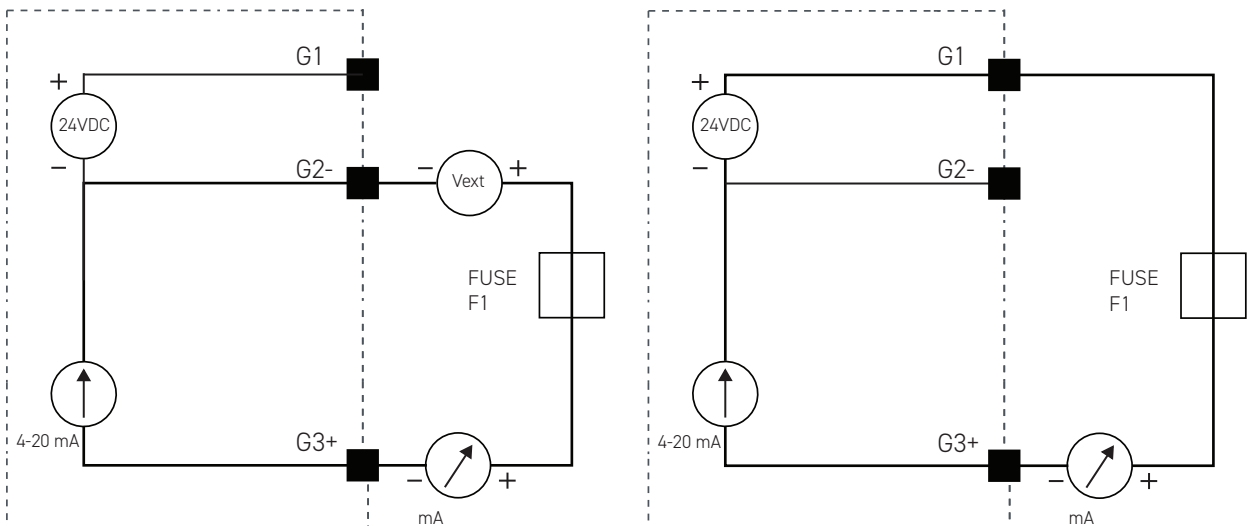


FOCUS-1 DC TERMINALS

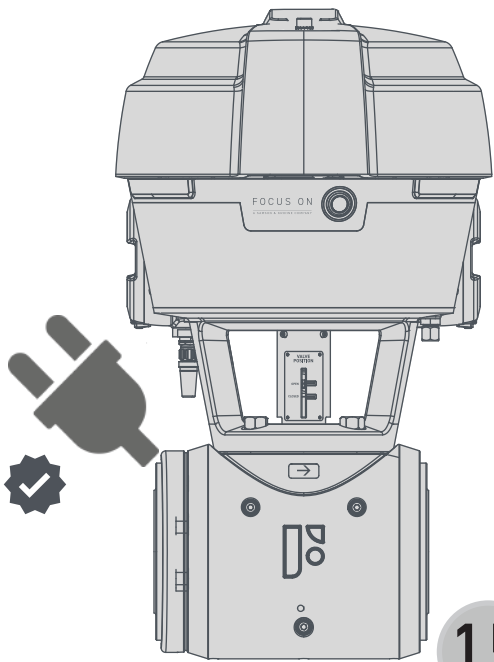


DC Terminal marking	Description
+24 VDC	24VDC power supply: +terminal
-24 VDC	24VDC power supply: -terminal
TX+ / TX-	Ethernet: Transmit pair (white orange/orange)
RX+ / RX-	Ethernet: Receive pair (white green/green)
F2+	4-20mA input: + terminal
F1-	4-20mA input: - terminal
G3+	4-20mA output: + terminal
G2-	4-20mA output: - terminal
G1	4-20mA output: 24VDC

DC ACTIVE AND PASSIVE 4-20 mA OUTPUT CONNECTION



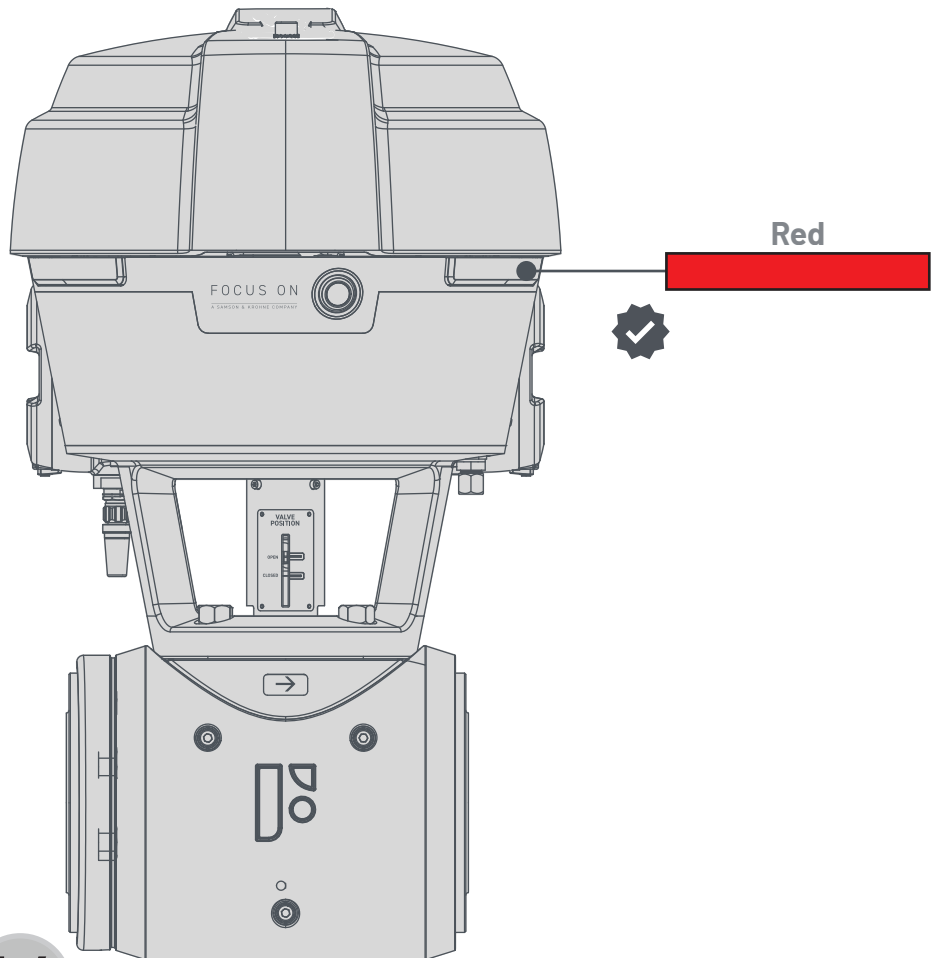
PROCESS INSTALLATION & DCS CONNECTION
PLUG-IN AND INITIATE CONNECTION



15

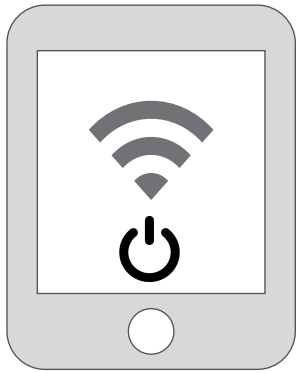


5 min. after every start-up



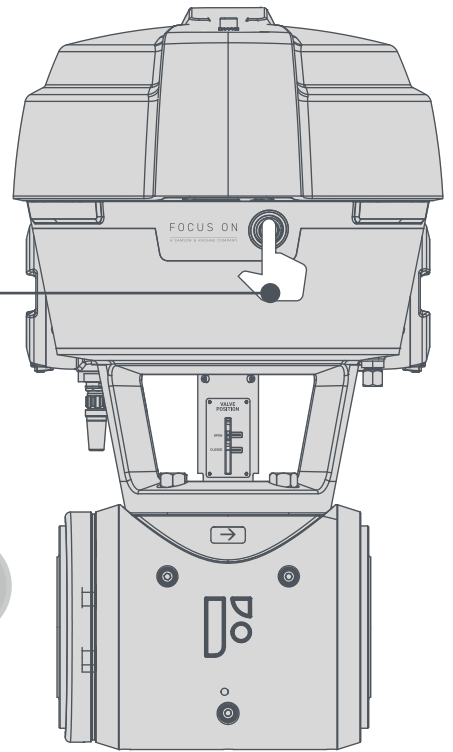
16

PROCESS INSTALLATION & DCS CONNECTION
ACTIVATE WIFI & PRESS THE DEVICE BUTTON

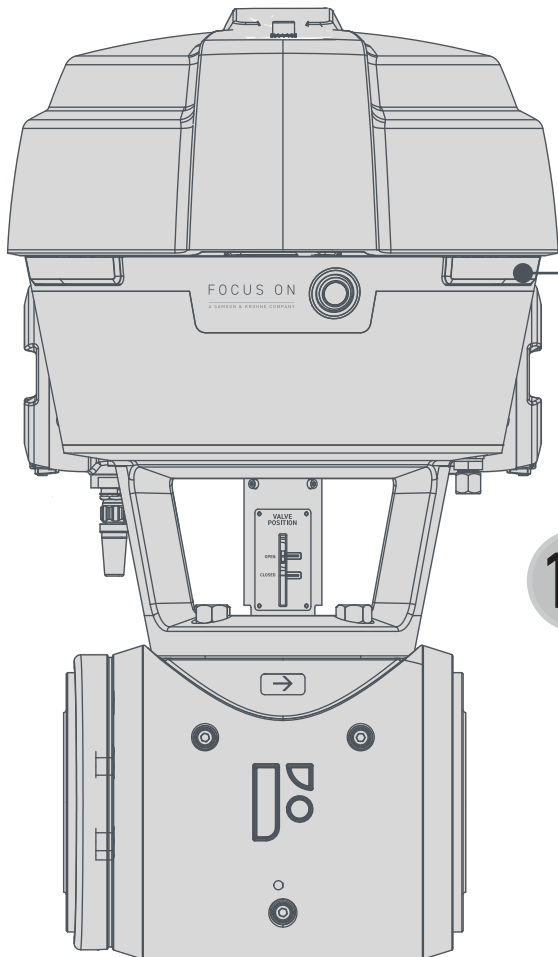


17

hold 3 seconds

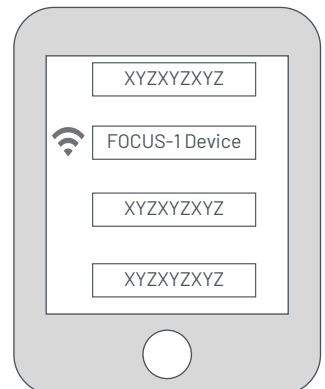


18



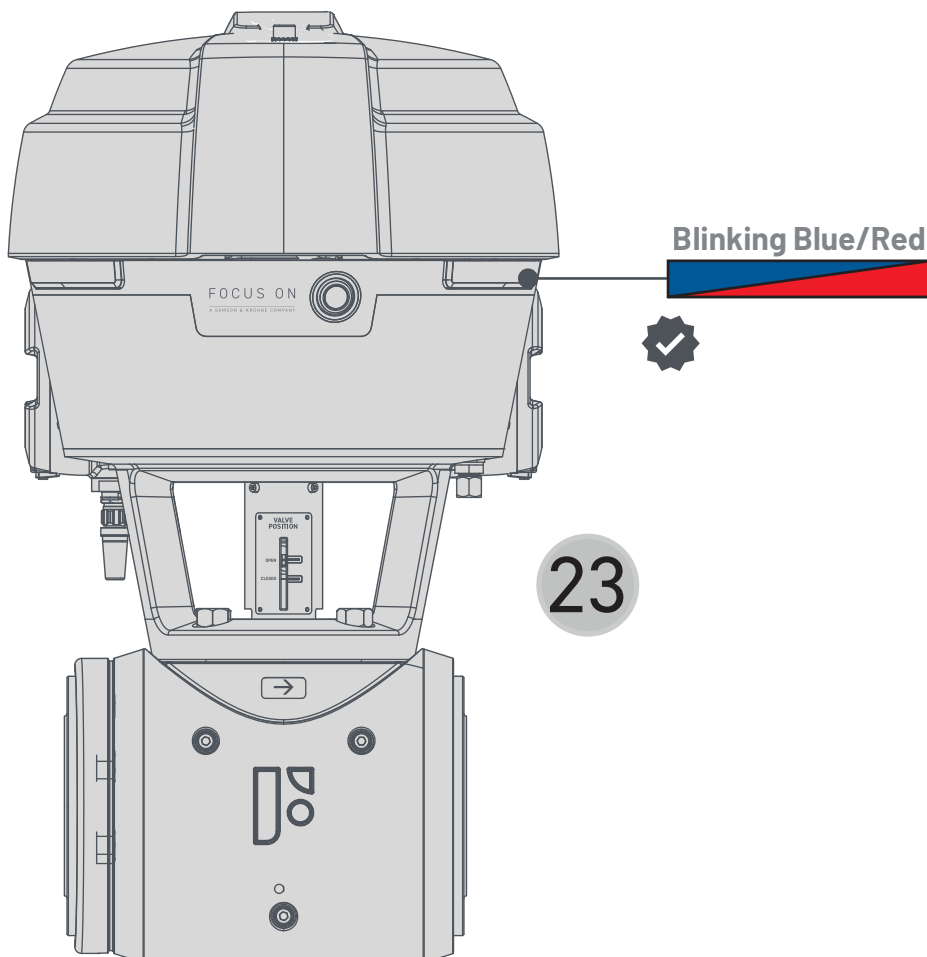
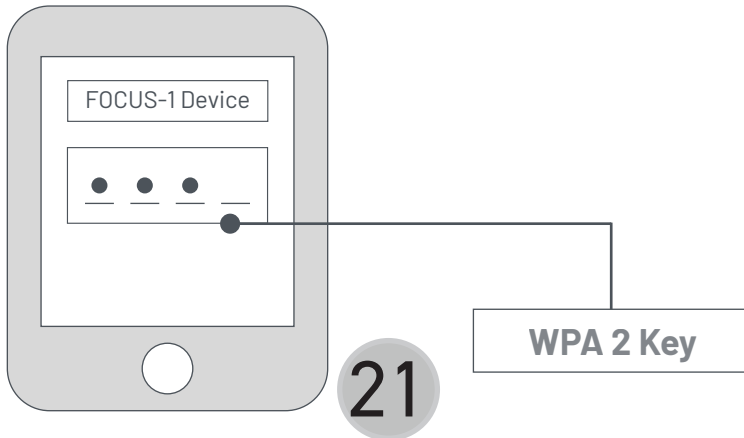
19

Blinking Blue

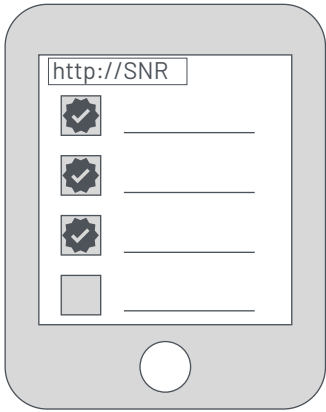


20

PROCESS INSTALLATION & DCS CONNECTION
FIND FOCUS-1 & ESTABLISH CONNECTION



PROCESS INSTALLATION & DCS CONNECTION
FILL OUT PROCESS REQUIREMENTS



24

